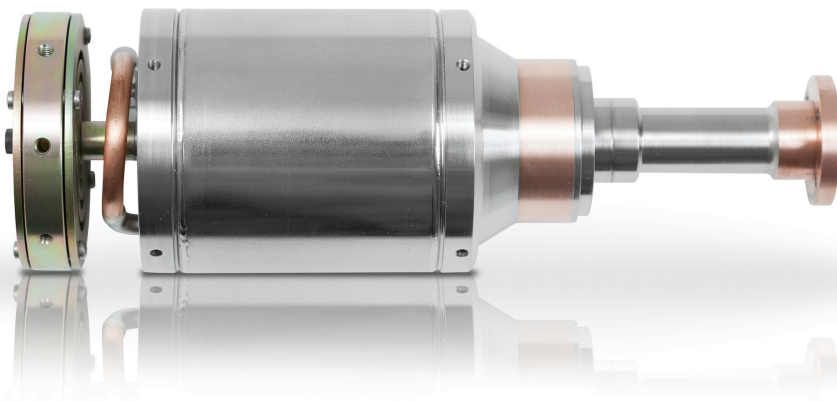


CryoTel[®] MT

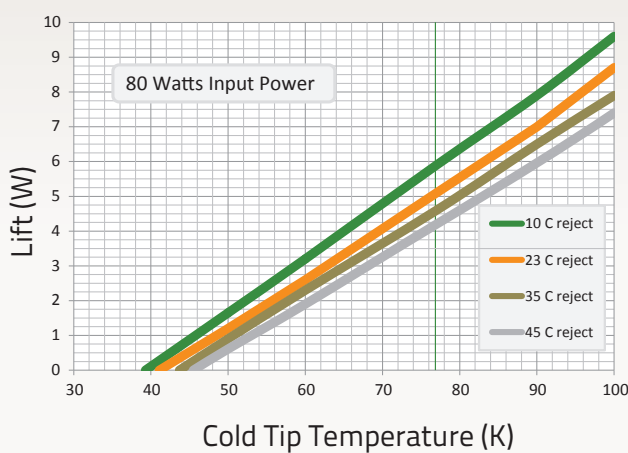
5W Cryocooler



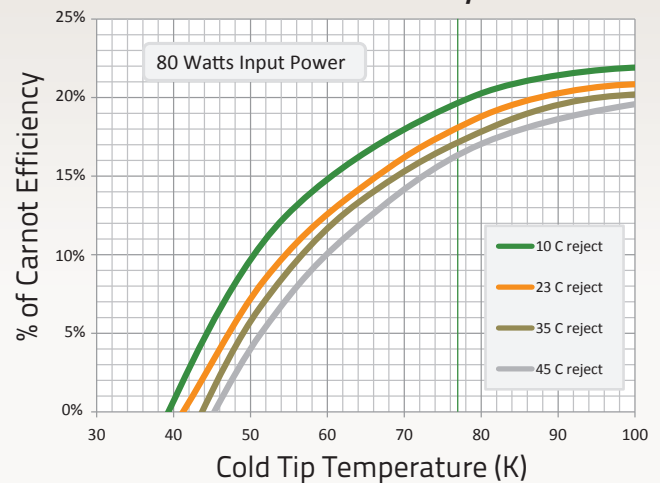
▶ THE MOST EFFICIENT
CRYOCOOLERS
COMMERCIALY AVAILABLE

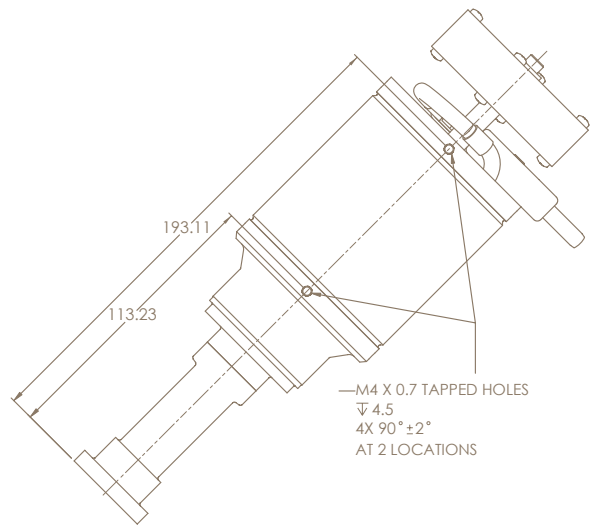
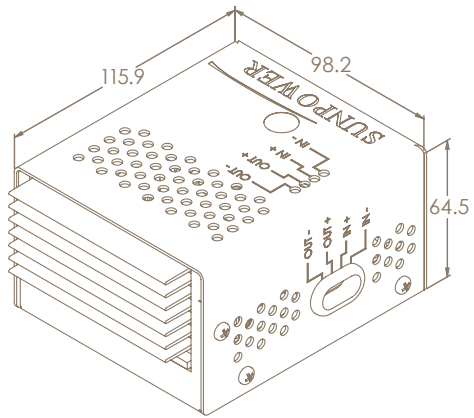
Nominal Lift @ 77K (23° C reject)	5 W
Nominal Input	80W
Cooler Mass	2.1 kg
Temperature Stability	+ 0.1K
Power Supply	DC 24V
Overall Length	242.8 mm
Outside Diameter	73 mm
Ambient Operation	-40°C to 60°C
Orientation	any
Operating Frequency	60 Hz
MTTF	200,000 hrs

Nominal Performance

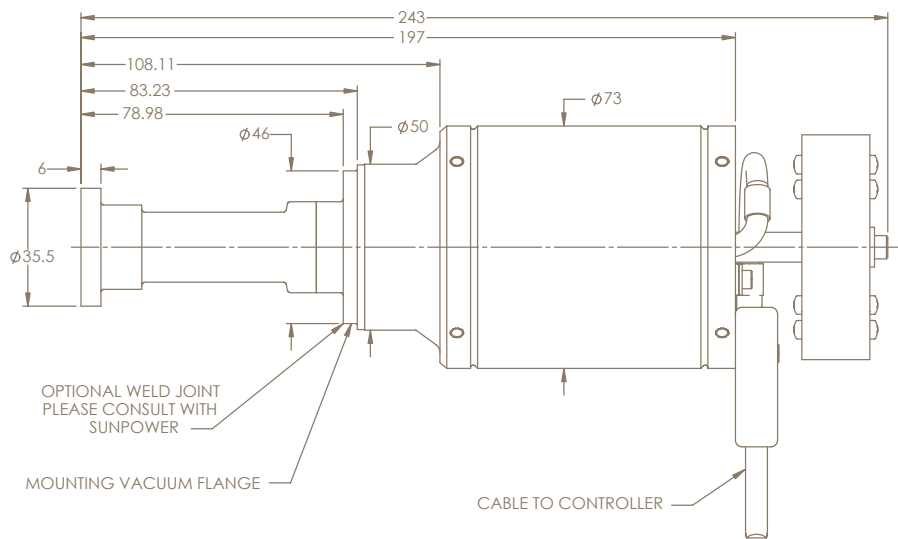
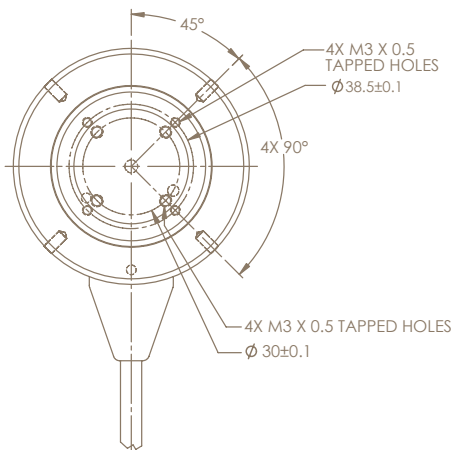


% of Carnot Efficiency

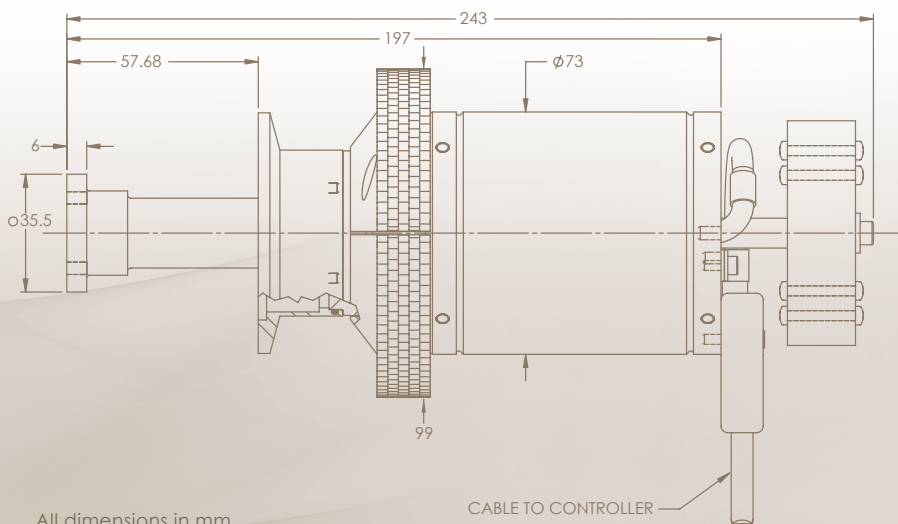




Base MT Cryocooler Dimensions



MT Cryocooler with Air Fins



All dimensions in mm

► Cooler and Controller



1055 E. State Street - Suite D
Athens, Ohio 45701-2627 USA

740.594.2221
info@sunpowerinc.com
www.sunpowerinc.com

